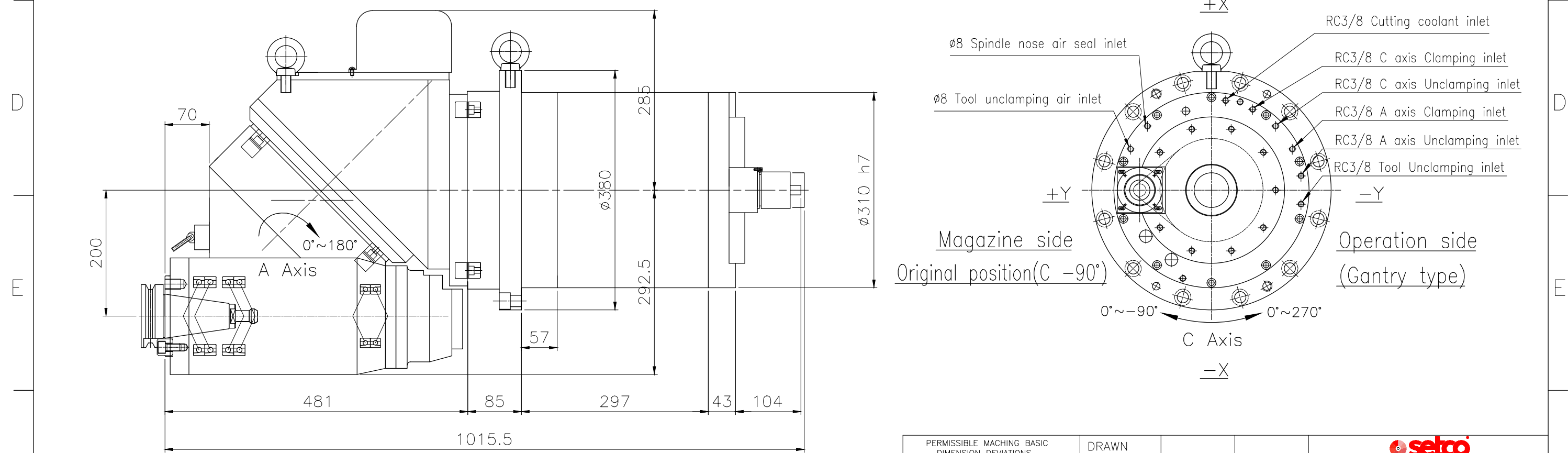


MULTIANGULAR SWIVELLING HEAD SPEC.	
Tool interface	BT50
Spindle speed	3,500 rpm
Clamping force	1200~1500 kgf
Bearing F/R	ø90x4/ø70x2
Torque cutting/rotate	660Nm/400Nm
Lubrication	Grease
Oil pressure	60 kg/cm2
Division angle	5°-5°
Volume (LxWxH)	1055x350x535 mm
Weight	470 kg



PERMISSIBLE MACHING BASIC DIMENSION DEVIATIONS						DRAWN		
>0	>6	>30	>120	>400	>1000	DESIGNED		
±0.05	±0.10	±0.15	±0.20	±0.30	±0.50	CHECKED		
PERMISSIBLE DRILLING BASIC DIMENSION DEVIATIONS						MATERIAL		NAME DWG.NO. F59D01-ACA-E
						SCALE	1:6	
PERMISSIBLE ANGLE BASIC DIMENSION DEVIATIONS								

ver.	coordinates	Changing content	Modified by	date