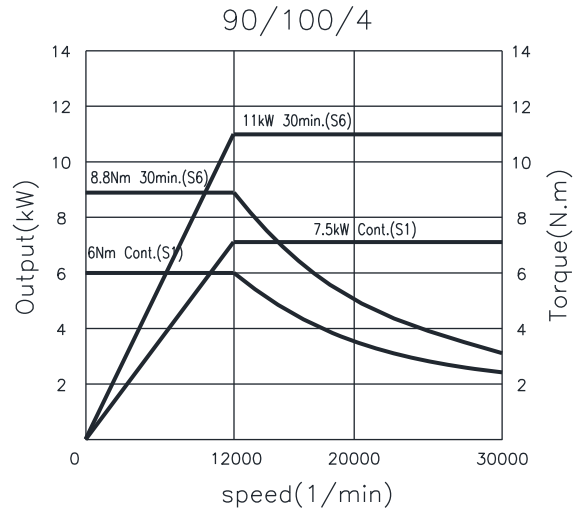
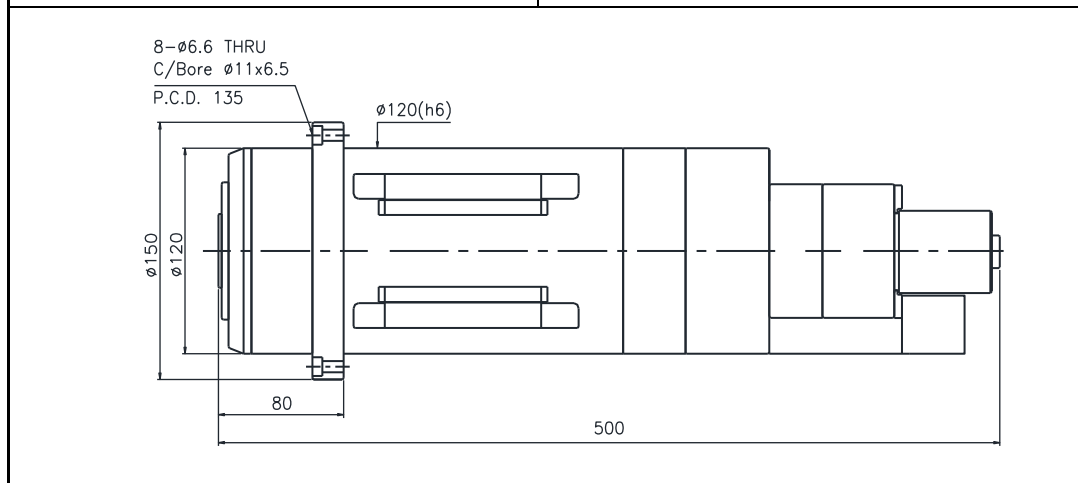


Spindle Model :

231A160 HSK E40 24,000 rpm
 231A130 HSK E40 30,000 rpm



Tool interface	BBT30 / HSK E40
Spindle Max. Speed	24,000rpm / 30,000 rpm
Motor Power	7.5kW S1 cont. / 11kW S6 30min.
Motor Torque	6Nm S1 cont. / 8.8Nm S6 30min.
Bearing I.D.	ø45 mm
Bearing lubrication	Grease(24000rpm) / Oil-Air(30000rpm)
Pull-in force	680 kgf
Release pressure	Hydraulic - 50bar
Cooling system	Water with additive
Rotary union	C.T.S. Ready / 70bar
Encoder	sin/cos 1Vpp / 180 pulse/rev
Spinder Weight	30 kgf



Edition 201510/01