

SETCO SPINDLES INC., TAIWAN BRANCH (USA)

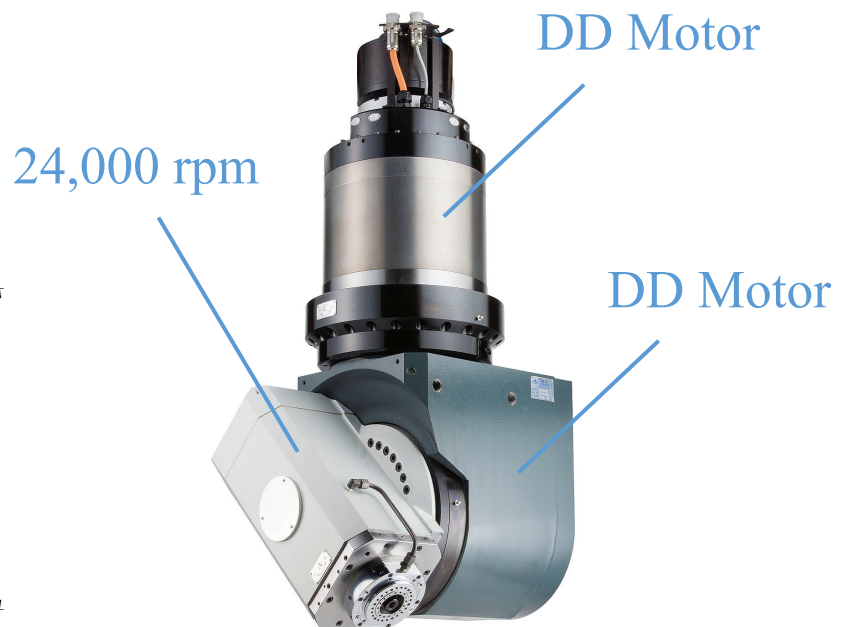
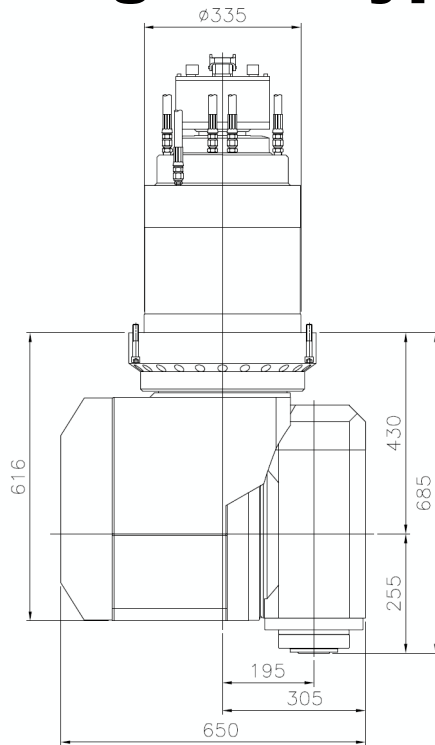
Product Data

MILLING HEADS

<https://www.setco.com>

1. DUAL AXIS SERVO ROTARY HEADS (Orthogonal Type) ----- P1
2. DUAL AXIS SERVO ROTARY HEADS (Fork) ----- P2
3. DUAL AXIS SERVO ROTARY HEADS (Orthogonal Type) ----- P3

DUAL AXIS SERVO ROTARY HEADS (Orthogonal Type)

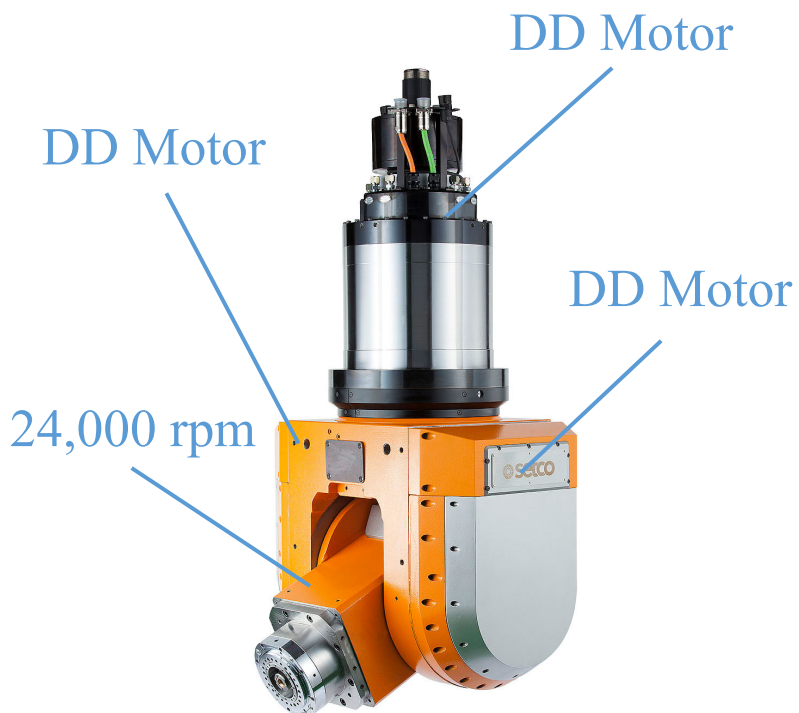
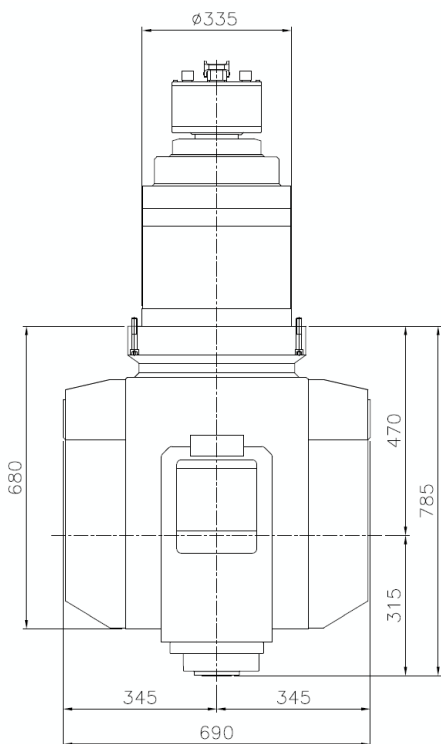


24000rpm/88Nm/37kW max.

Tool interface	HSK A63
Max. Spindle Speed	24000 rpm
Spindle Power	30kW S1 Cont. /37kW S6 ts=2min
Spindle Torque	72Nm S1 Cont./88Nm S6 ts=2min
Spindle Lubrication	Oil air
A/C / Max. Torque	993 Nm
A/C / Clamping Torque	2000 Nm
A/C / Rotary Angle	C : ±220° / A : ±115°
Measuring System	Absolute
Accuracy of Graduation	±2"
Function	CTS
Volume L×W×H	613 × 400 × 1200 mm
Total weight	700 kg

Edition 2021/01/22

DUAL AXIS SERVO ROTARY HEADS (Fork)

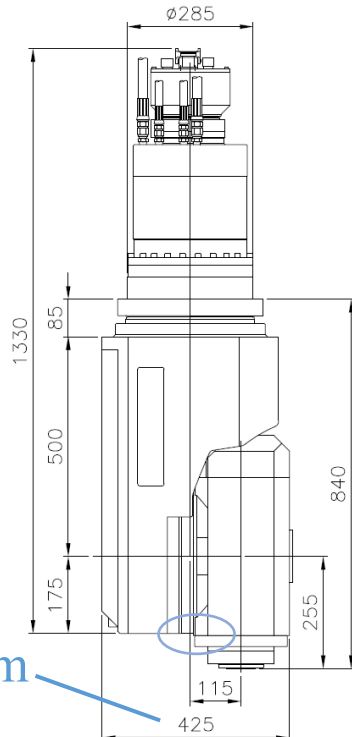


24000rpm/88Nm/37kW max.

	HSK A63
Max. Spindle Speed	24000 rpm
Spindle Power	30kW S1 Cont. /37kW S6 ts=2min
Spindle Torque	72Nm S1 Cont./88Nm S6 ts=2min
Spindle Lubrication	Oil air
A/C / Max. Torque	A:1378 Nm/ C:1500 Nm
A/C / Clamping Torque	2000 Nm
A/C / Rotary Angle	C : ±220° / A : ±110°
Measuring System	Absolute
Accuracy of Graduation	±2"
Function	CTS
Volume L×W×H	435 × 690 × 1380 mm
Total weight	800 kg

Edition 2021/01/29

DUAL AXIS SERVO ROTARY HEADS (Orthogonal Type)



18000rpm/88Nm/37kW max.

Tool Interface	HSK A63
Max. Spindle Speed	18000 rpm
Spindle Power	29.5kW S1 Cont. /37kW S6 ts=2min
Spindle Torque	70Nm S1 Cont./88Nm S6 ts=2min
Spindle Lubrication	Oil air
A/C / Max. Torque	A:525 Nm/ C:318 Nm
A/C / Clamping Torque	1900 Nm
A/C / Rotary Angle	C : ±240° / A : ±110°
Measuring System	Absolute
Accuracy of Graduation	C : ±2.5" / A : ±1.9"
Function	CTS
Volume L×W×H	425 × 350 × 1330 mm
Total Weight	550 kg

Edition 2021/02/05