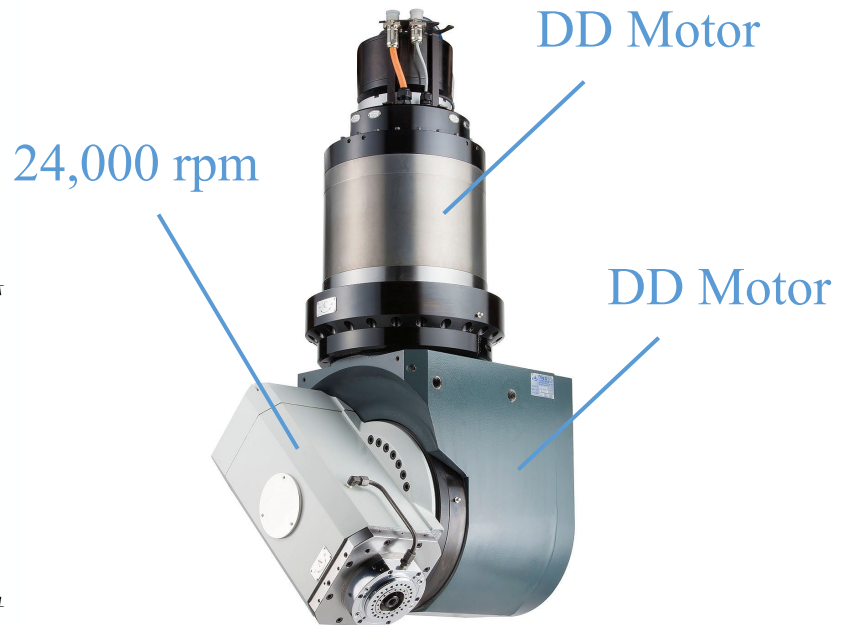
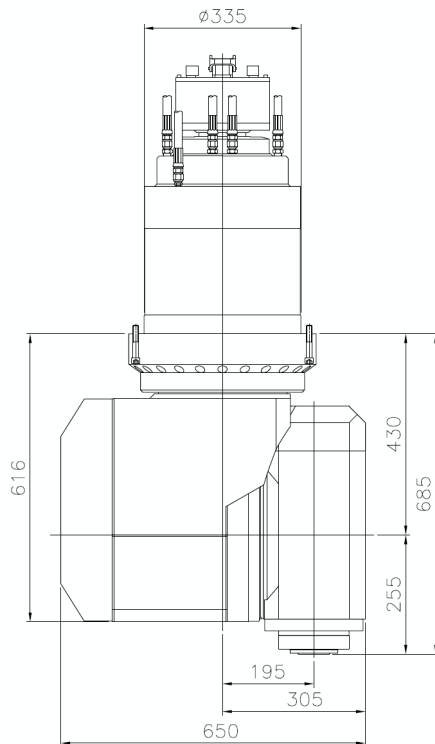


TWO-AXIS ORTHOGONAL MILLING HEAD (DD MOTOR)


24000rpm/88Nm/37kW max.

Tool Interface	HSK A63
Max. Spindle Speed	24000 rpm
Spindle Power	30kW S1 Cont. /37kW S6 ts=2min
Spindle Torque	72Nm S1 Cont./88Nm S6 ts=2min
Spindle Lubrication	Oil air
A/C Max. Torque	993 Nm
A/C Clamping Torque	2000 Nm
A/C Rotary Angle	C : $\pm 220^\circ$ / A : $\pm 115^\circ$
Measuring System	absolute
Precision of Positioning	$\pm 2''$
Function	CTS
Volume L×W×H	613 × 400 × 1200 mm
Total Weight	700 kg

Edition 2021/01/22