

MILLING HEADS

Setco is a leading manufacturer and servicer of many brands and types of milling heads and related products.



Milling Head Types

- 1. Rotary – Dual and Single Axis
- 2. Automatic
- 3. Fixed
- 4. Semi-Automatic Manual
- 5. Manual
- 6. HEADTec (Brand)

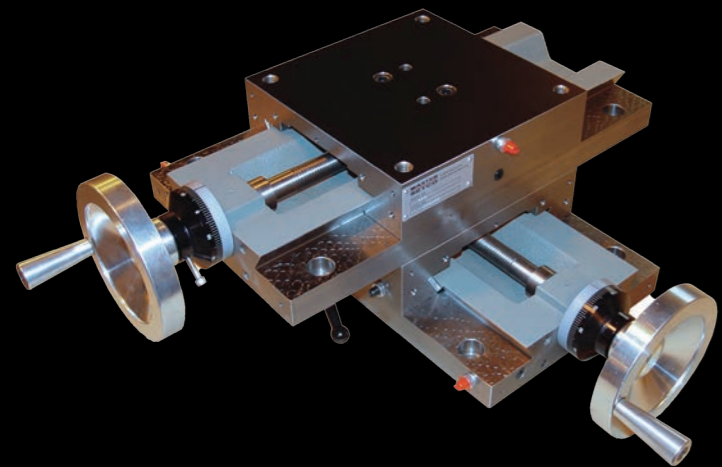


PRECISION PARTS

Setco is a leading global precision parts manufacturer. We can provide parts for various applications in just about any quantity. We deliver expert attention to detail and fast turnaround times.

SLIDES

Setco manufactures precise, durable, and dependable machine slides for customers needing low and high-speed applications across a broad industry range.

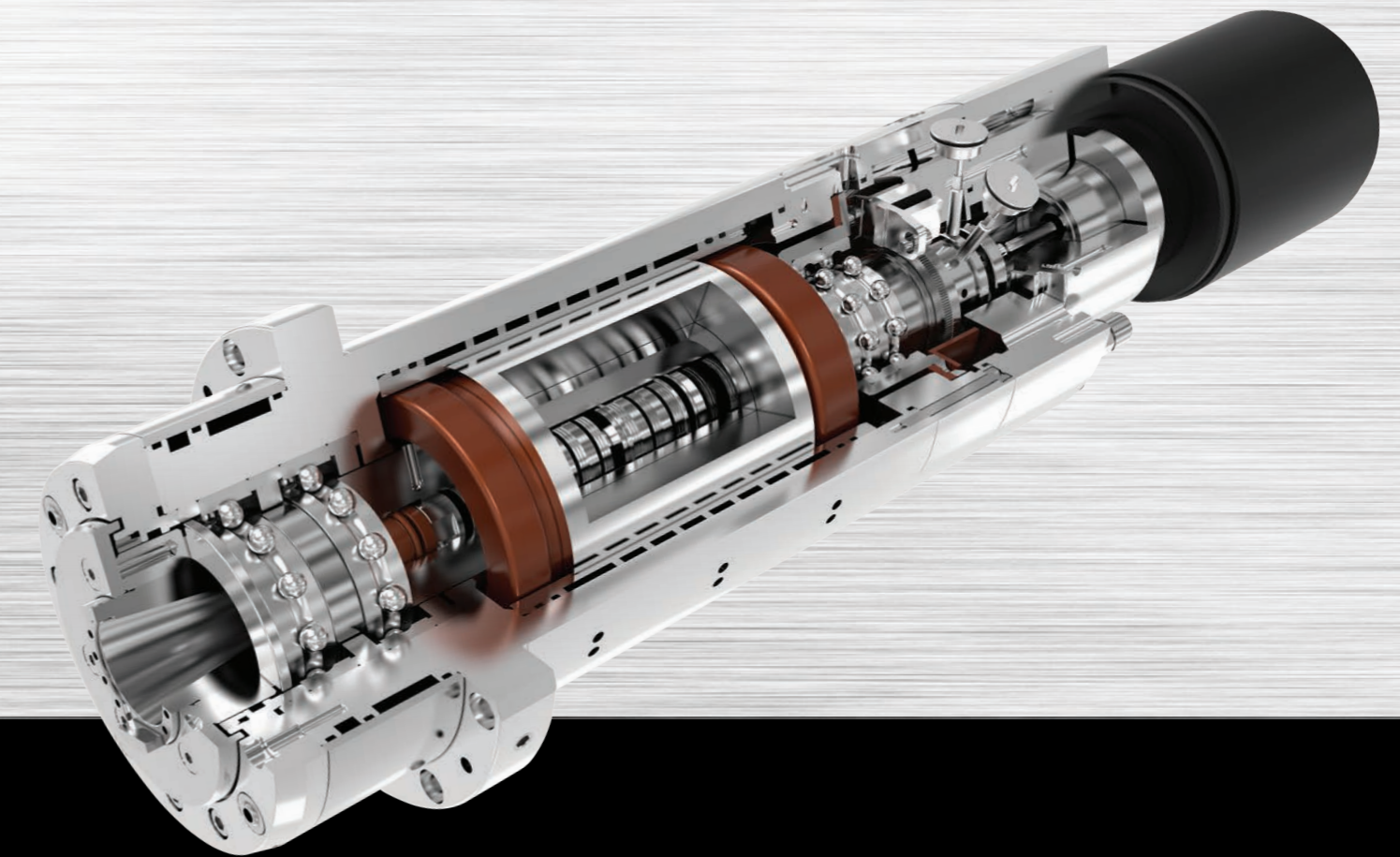


Setco / GTI is the technical leader in the design, manufacture, and service of precision spindles, milling heads, slides, and spindle/slide combinations. Setco is a major spindle manufacturer with over 325,000 spindles in the field, both new and rebuilt, that include belt-driven, geared, motorized, high speed, and high-frequency models. GTI Predictive Technology is a leader in machine health monitoring and predictive maintenance.

800-543-0470 | 603.669.5993 | 603.403.7499
www.setco.com | www.gtispindle.com | www.gtipredictive.com

WE SPECIALIZE IN

- 1. Spindle Repair and Rebuild
- 2. New Spindles
- 3. New Milling Heads
- 4. Precision Parts
- 5. Predictive Maintenance Systems
- 6. Spark Erosion Grinding (EDM)
- 7. Test Stands and Other Custom Engineering Services



Trusted Since 1912

SPINDLES, SLIDES, MILLING HEADS & MORE

MANUFACTURING AND REPAIR SERVICES

SPINDLE REPAIR AND REBUILD

Precision Spindle Solutions: Quality – Speed – Trust

From start to finish, customer service is the highest priority. All work is backed by a **one-year warranty**, with the commitment to repair, test, and return your spindle to OEM or better specifications and performance.

8-STEP SPINDLE REPAIR PROCESS

We repair nearly all spindle types from over 350 OEMs

- 1 **INCOMING TEST RUN AND VIBRATION ANALYSIS**
We verify if there is an issue with the spindle before proceeding.
- 2 **DISASSEMBLY AND FAILURE EVALUATION**
We identify the root cause of the failure and provide appropriate recommendations.
- 3 **COMPONENT INSPECTION**
Parts are measured to OEM specification and identified for repair or replacement.
- 4 **FIRM NO-OBLIGATION PRICE QUOTES**
A detailed scope of work, schedule and summary of our evaluation is provided.
- 5 **PART REPLACEMENT AND RECONDITIONING**
We meet or exceed all OEM specifications for like-new precision and performance.
- 6 **ASSEMBLE, TEST RUN, AND VIBRATION CERTIFICATION**
Fully run off under controlled conditions to ensure thermal stabilization at maximum speed.
- 7 **FINAL ELECTRICAL AND MECHANICAL QC CHECKS AND AUDIT**
Our inspectors have one job—it has to be to spec and documented before it ships.
- 8 **RETURN**
Arrives in proper packaging/crate with QC documentation and our one-year warranty.



NEW MANUFACTURED SPINDLES

Setco is a leader in the design, manufacture, and service of high-performance precision spindles. **Setco** spindles are recognized worldwide for accuracy, durability, and quality.



We leverage our vast experience with some of the industry's most advanced technology to produce the most effective solutions for your specific needs. **Setco's** precision spindle line includes **Belt Driven, Direct Drive, Motorized, Parallel Gear, and Worm Gear.**



ADVANCED VIBRATION ANALYSIS FOR SPINDLES, MACHINE TOOLS, AND ROTATING EQUIPMENT

The heart of predictive maintenance is a good vibration monitoring program. Combined with our other predictive tools, VibePro10 provides an affordable alternative to the current vibration tools on the market. Route data collection, on-site analysis, and remote web-based vibration data analysis make VibePro10 a powerful solution for any reliability maintenance program.

Is VibePro10 right for your business?
Would your company benefit from:

- A fully self-contained system
- Scalable for your entire facility
- Simple and easy to use
- Real-time monitoring for instant analysis
- Fast payback on your small initial investment
- No software to install

